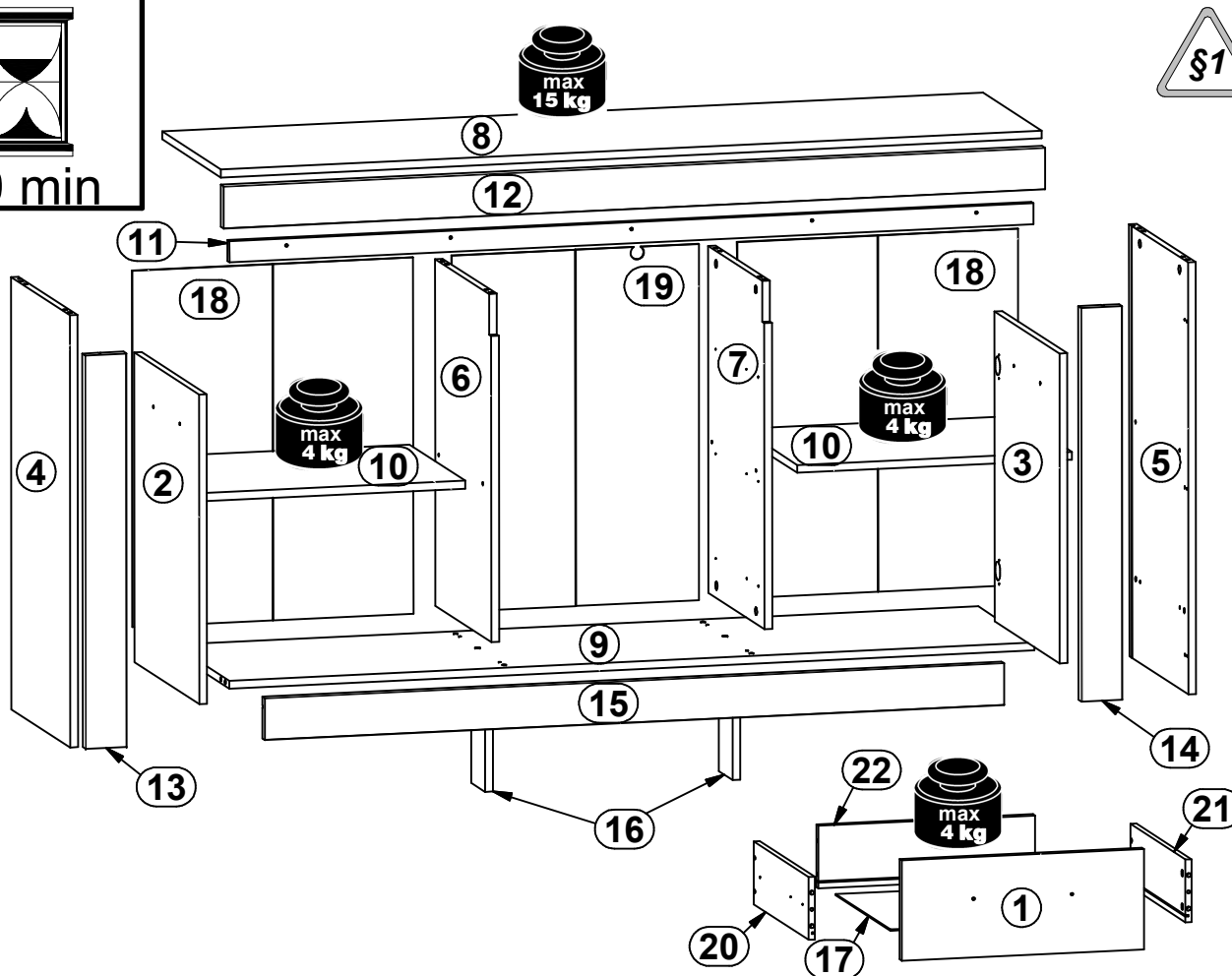
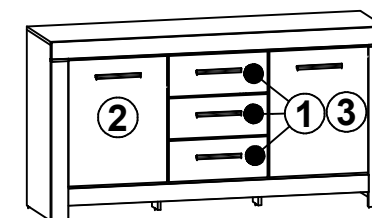


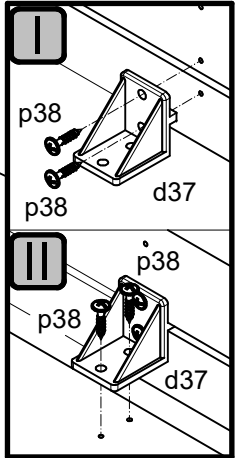
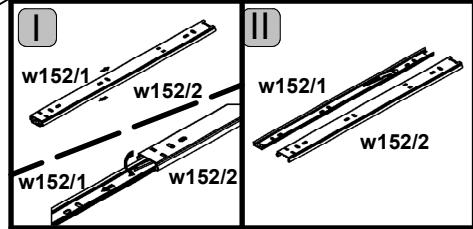
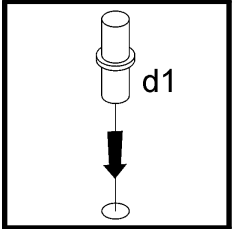
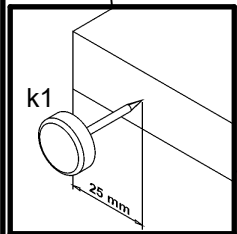
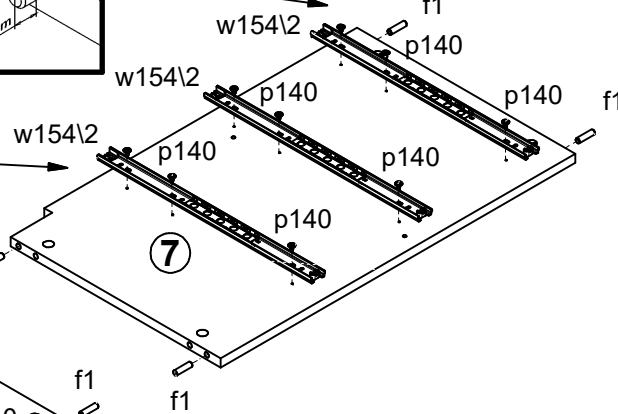
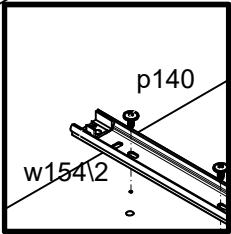
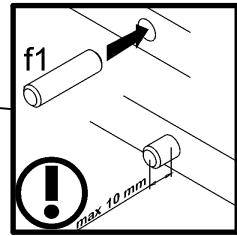
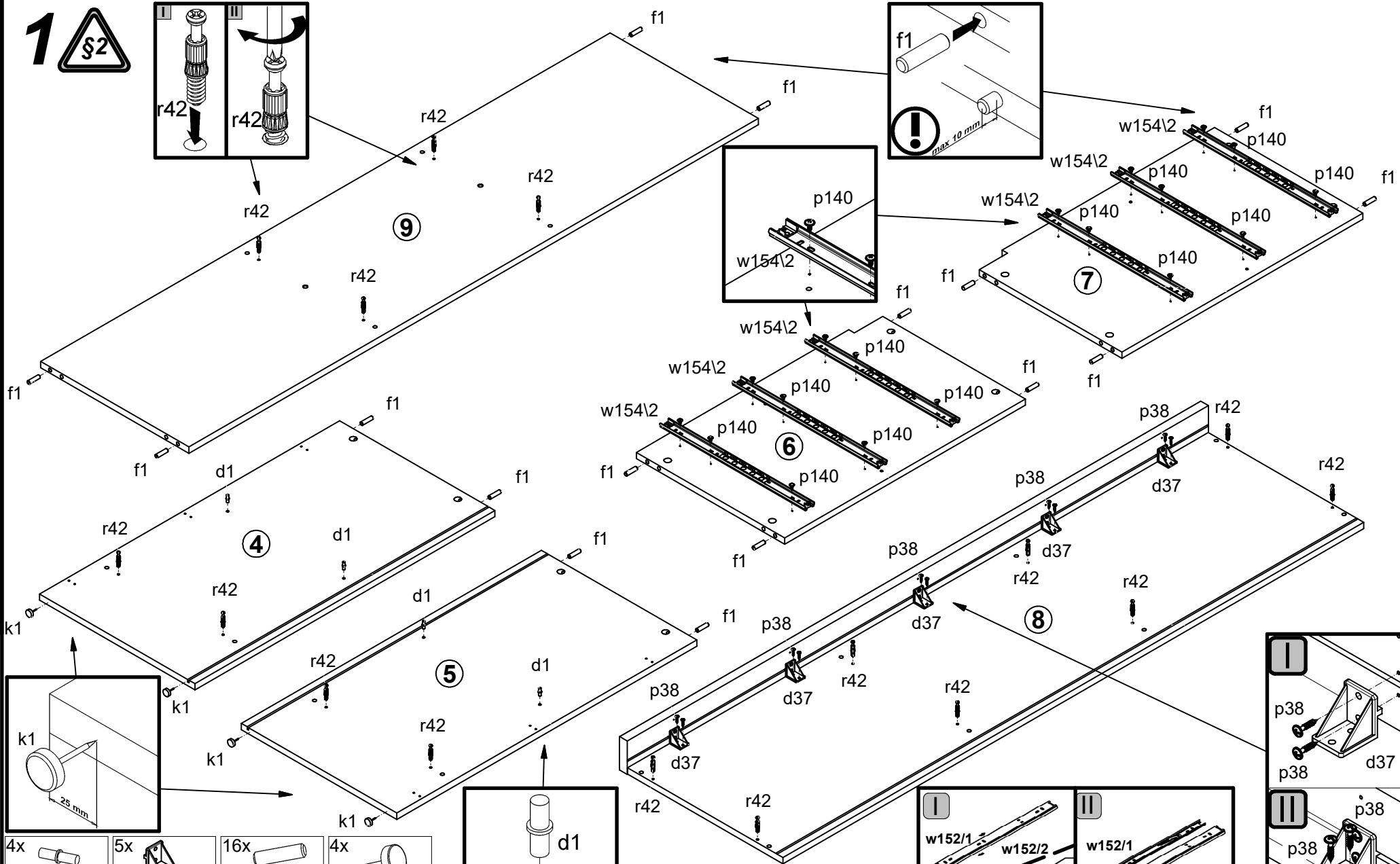
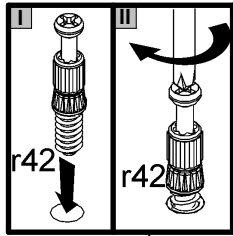
90 min



A	B	C (mm)		D
1	S365-0001	472	192	2/2
2	S365-0002	592	472	2/2
3	S365-0003	592	472	2/2
4	S365-1001	826	428	2/2
5	S365-1002	826	428	2/2
6	S365-1003	663	408	1/2
7	S365-1004	663	408	1/2
8	S365-2001	1599	428	1/2
9	S365-3002	1568	408	1/2
10	S365-3003	535	405	2/2
11	S365-4002	1566	40	1/2
12	S365-5001	1600	80	1/2
13	S365-5002	752	80	1/2
14	S365-5003	752	80	1/2
15	S365-5004	1440	80	1/2
16	S365-5005	146	100	1/2
17	S365-9001	432	397	2/2
18	S365-9301	681	547	2/2
19	S365-9302	681	481	2/2
20	ZK1-513	400	120	2/2
21	ZK1-514	400	120	2/2
22	ZS1-6571	422	120	1/2

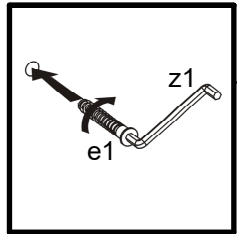


4x a132	2x a133	4x b43	5x L-212 mm c329\2	8x Ø5x17 mm d1	16x d37	2x Ø7x50 mm e1	8x Ø6,3x13 mm e2	18x Ø8x30 mm f1	6x Ø6x30 mm f9	12x Ø6,5x40 mm f25	1x Ø10x50 mm f35	6x k1
2x k123	18x l1	10x l2	1x 86x21x15/1,5 n14\2	8x 20x13x3,5\1 n108	6x silikon o21	10x Ø4x25 mm p8	5x Ø4x30 mm p9	4x Ø3x20 mm p14	1x Ø5x60 mm p17	66x Ø3,5x16 mm p38	8x Ø3,5x15 mm p51	8x Ø2,9x16 mm p55
36x Ø3,5x12 mm p140	16x Ø15x12 mm #16 r1	12x Ø12x10,5 mm #12 r15	28x 20/11 r42	4x Ø16 s2	6x 400/670 mm w154\1	6x 400/670 mm w154\2	1x 4 mm z1					

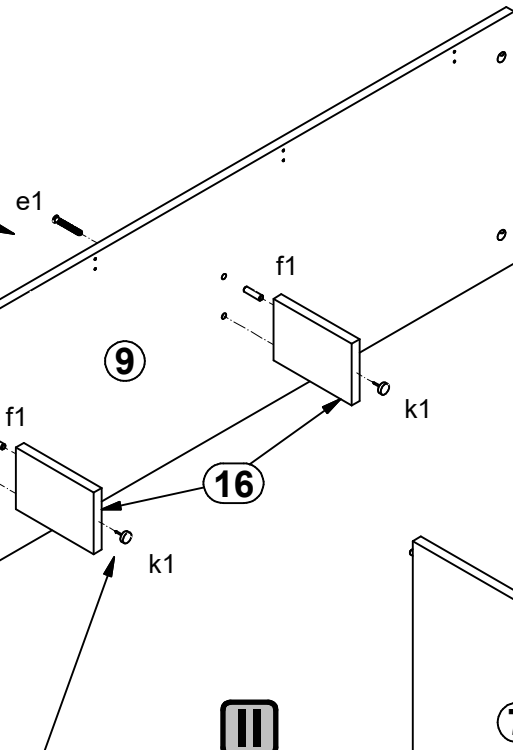


- 4x $\varnothing 5 \times 17$ mm d1
- 5x d37
- 16x $\varnothing 8 \times 30$ mm f1
- 4x k1
- 20x p38
- 18x $\varnothing 3,5 \times 12$ mm p140
- 16x 20/11 r42
- 6x 400/670 mm w154/2

2

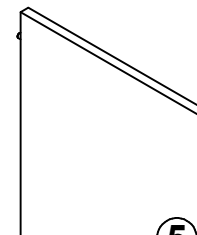
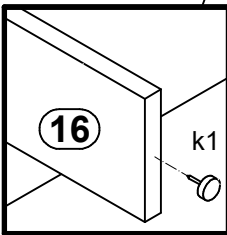
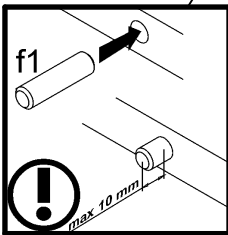


e1



9

16



5

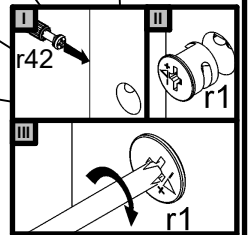
7

6

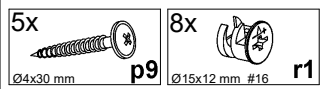
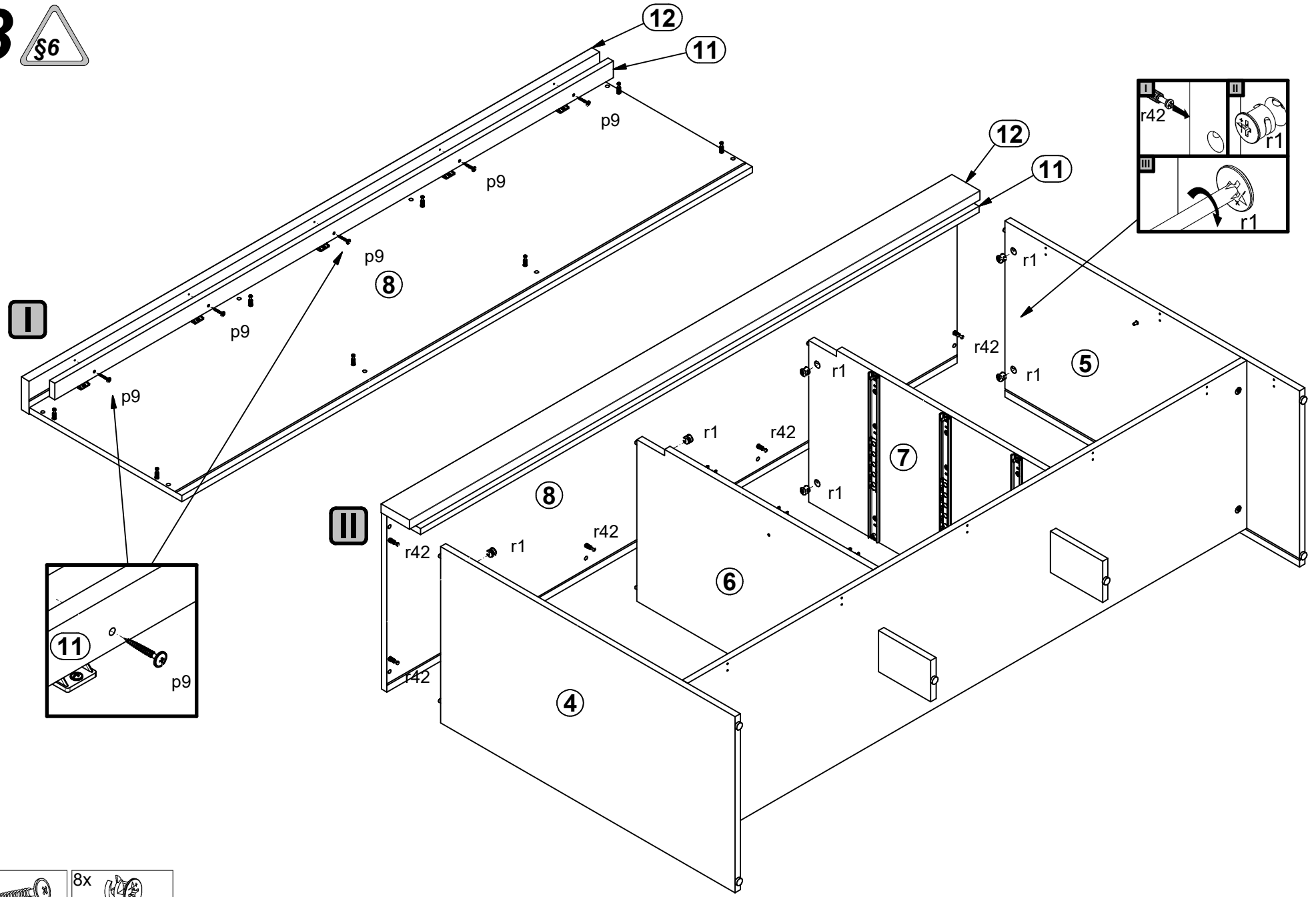
4

9

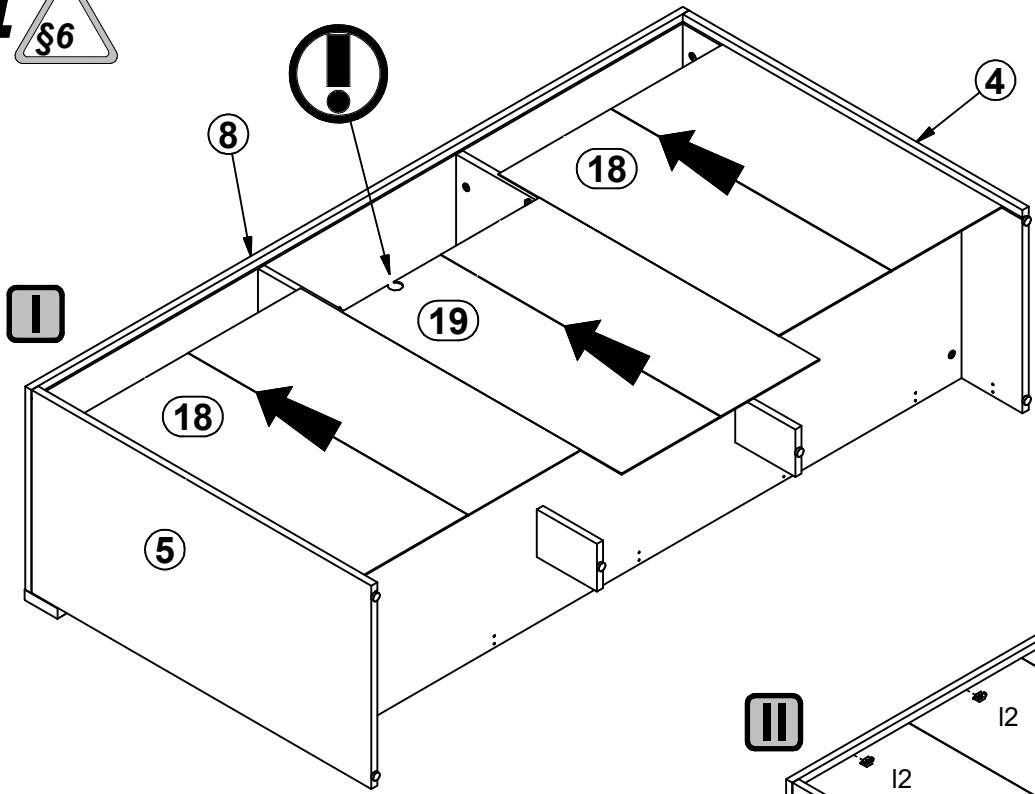
- 2x e1 Ø7x50 mm
- 2x f1 Ø8x30 mm
- 2x k1
- 8x r1 Ø15x12 mm #16
- 1x z1 4 mm



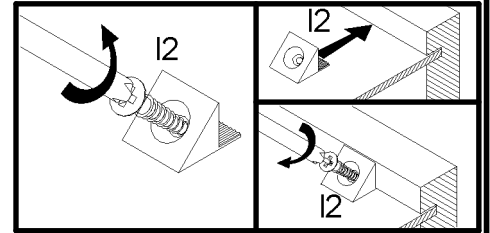
3 §6



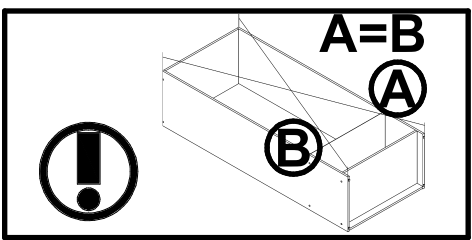
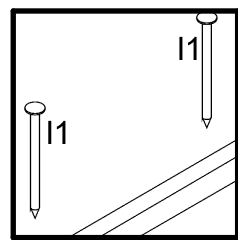
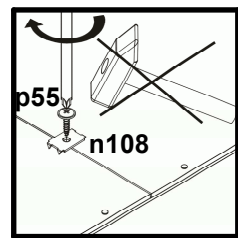
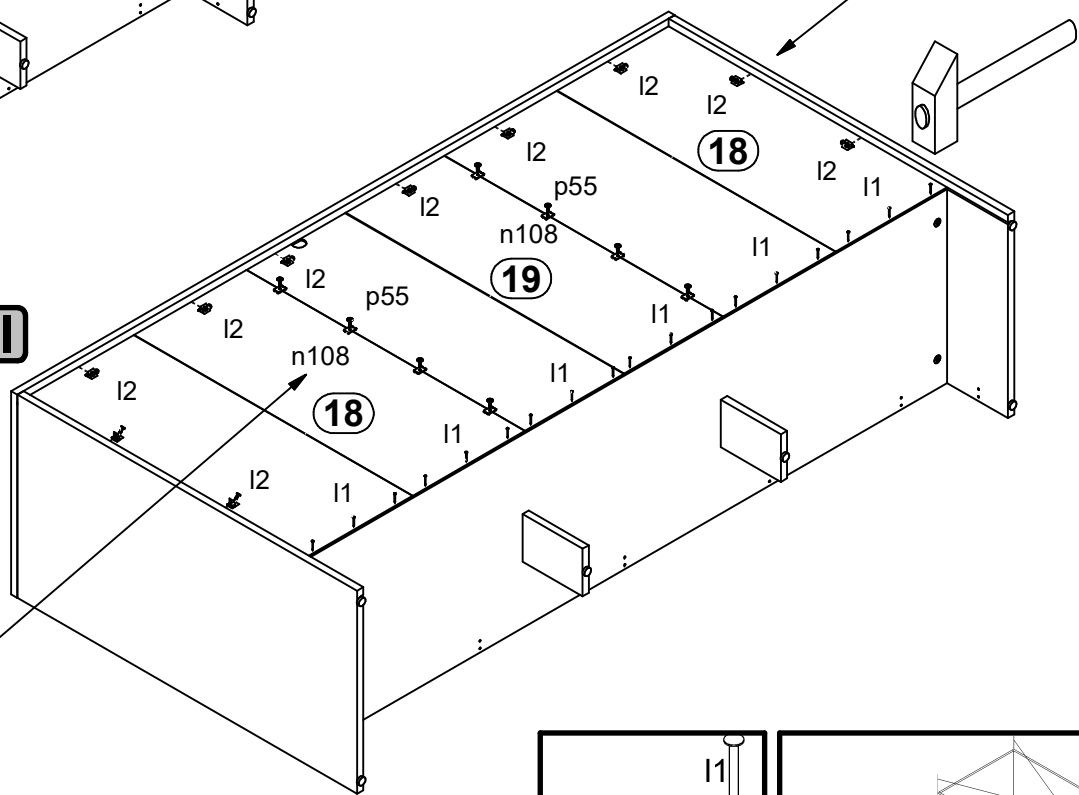
4 §6







I

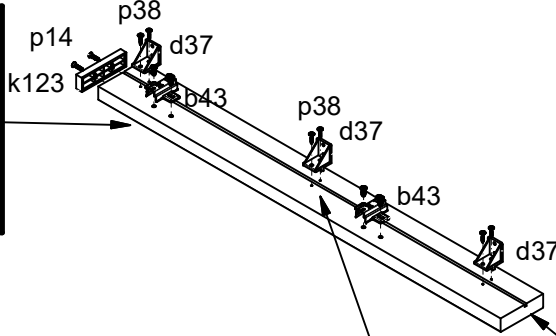
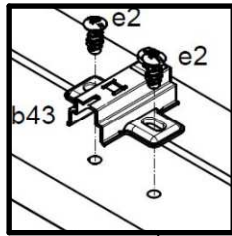


II



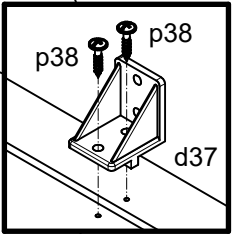
- 18x

l1
- 10x

l2
- 8x

n108
- 8x

p55

5 §2

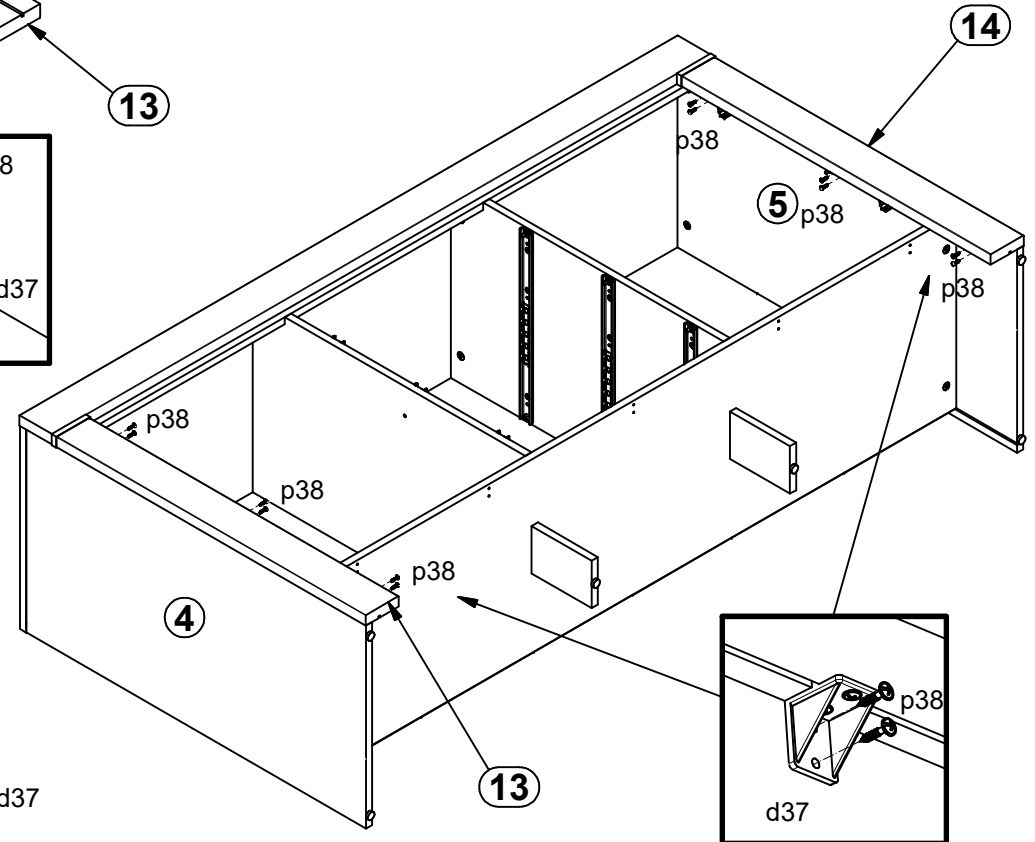
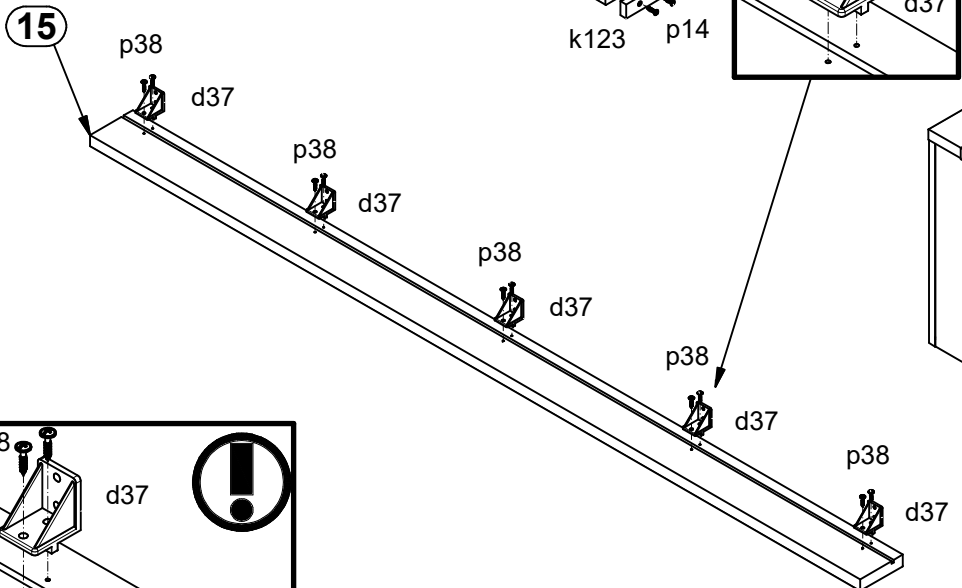


14

13



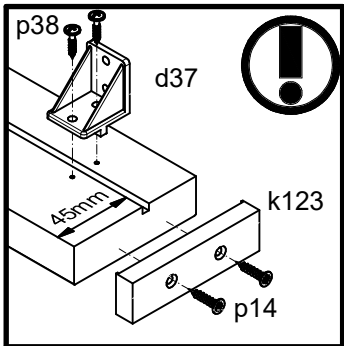
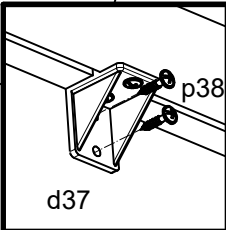
15









14

4

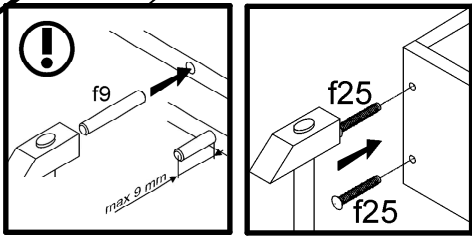
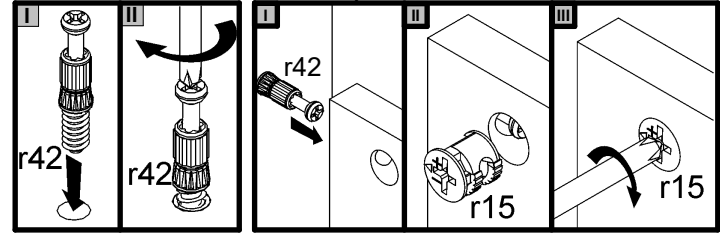
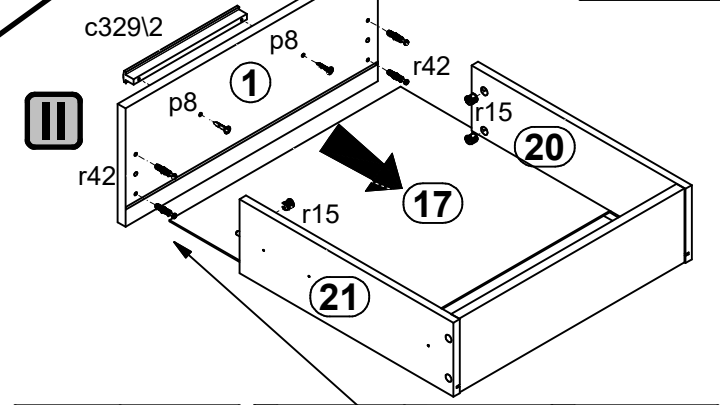
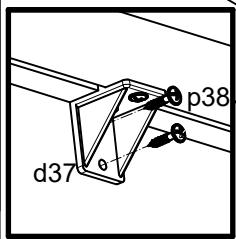
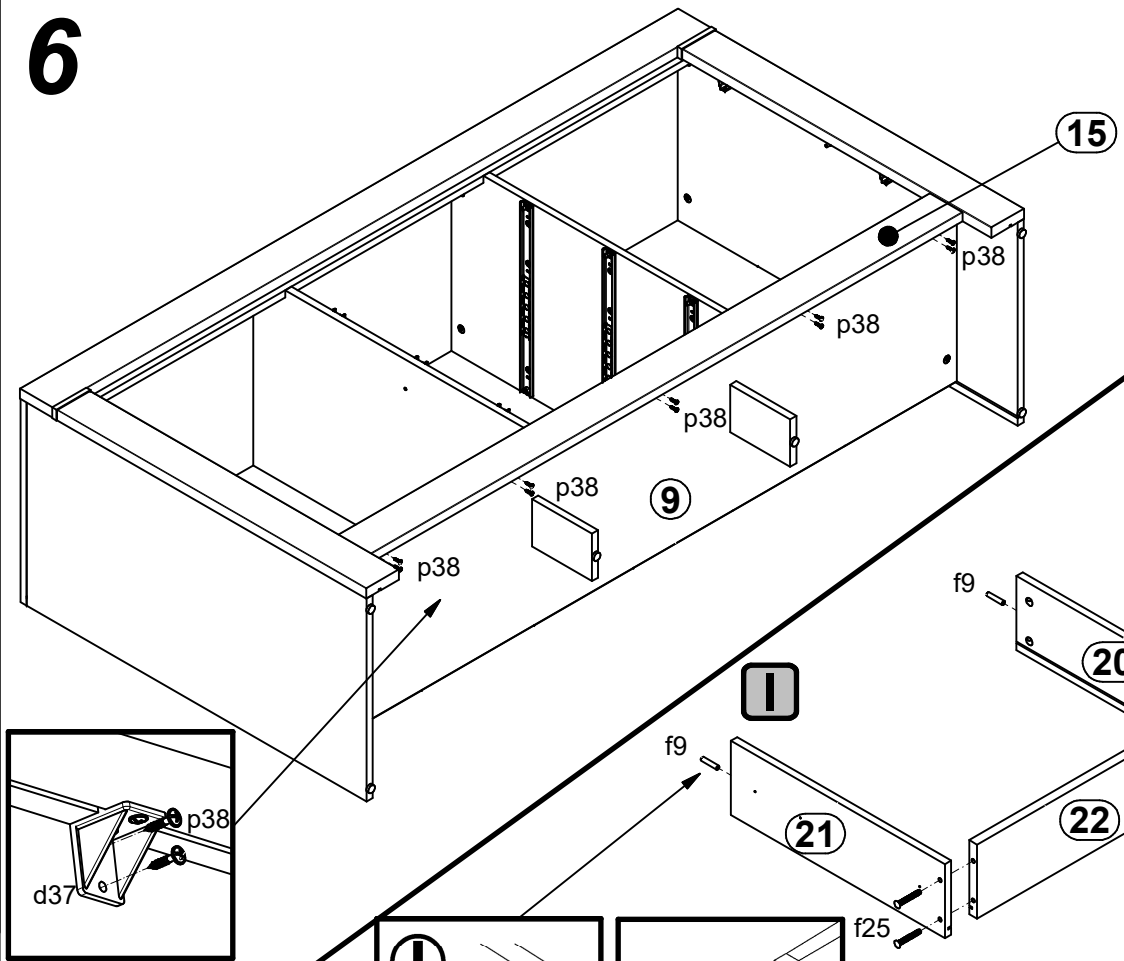
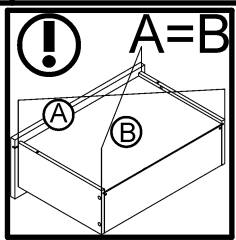
13



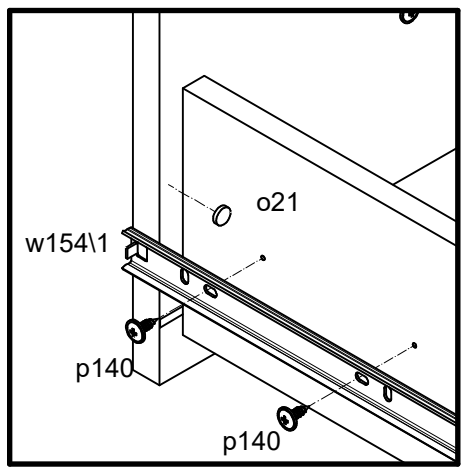
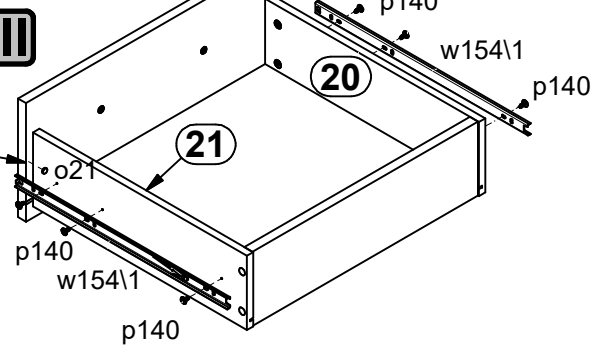
- 4x  **b43**
- 11x  **d37**
- 8x  **e2**
Ø6.3x13 mm
- 2x  **k123**
- 4x  **p14**
Ø3x20 mm
- 34x  **p38**
Ø3.5x16 mm

6

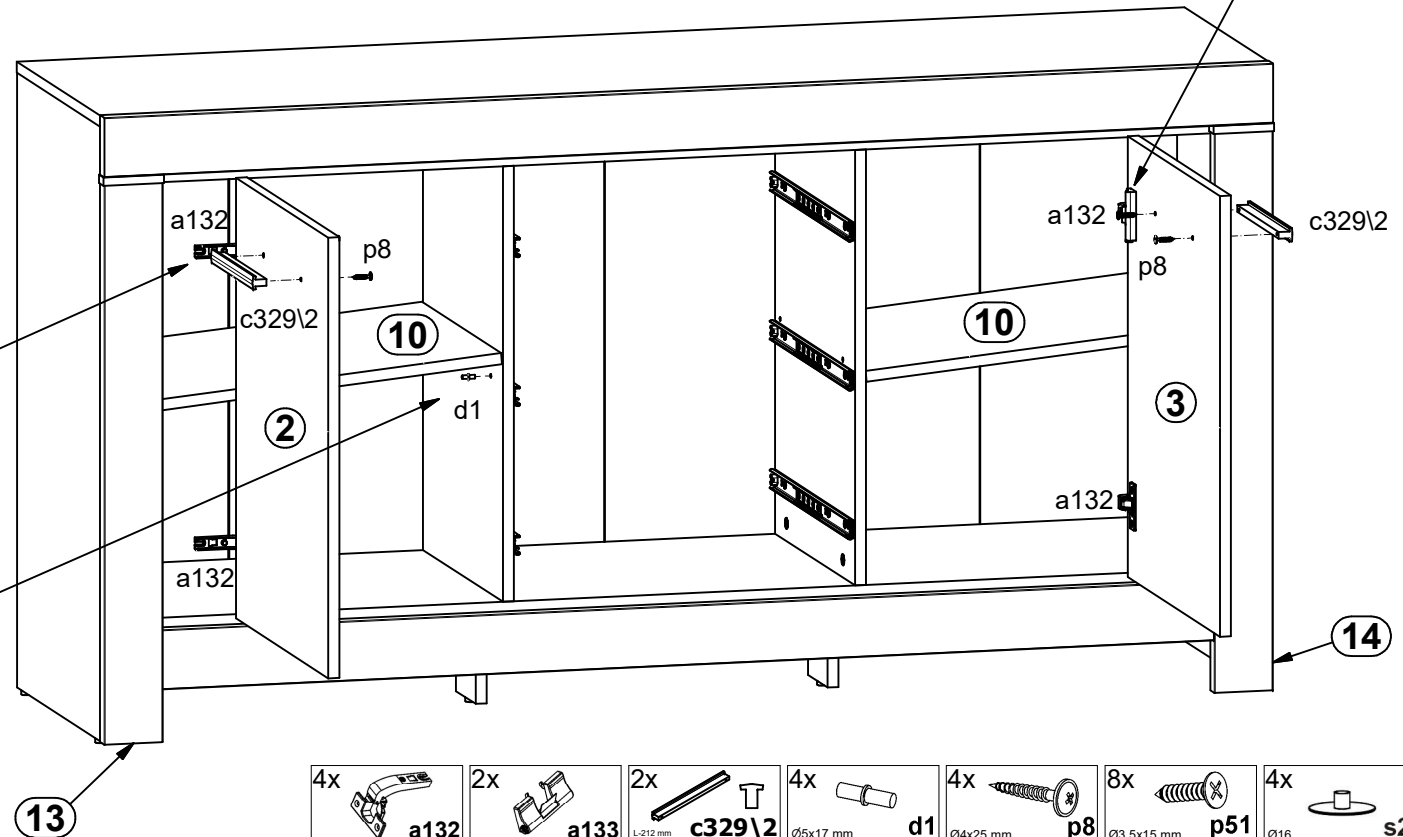
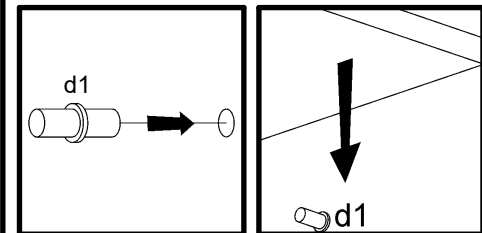
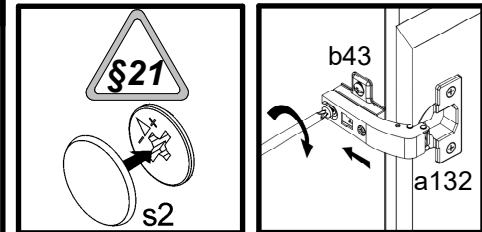
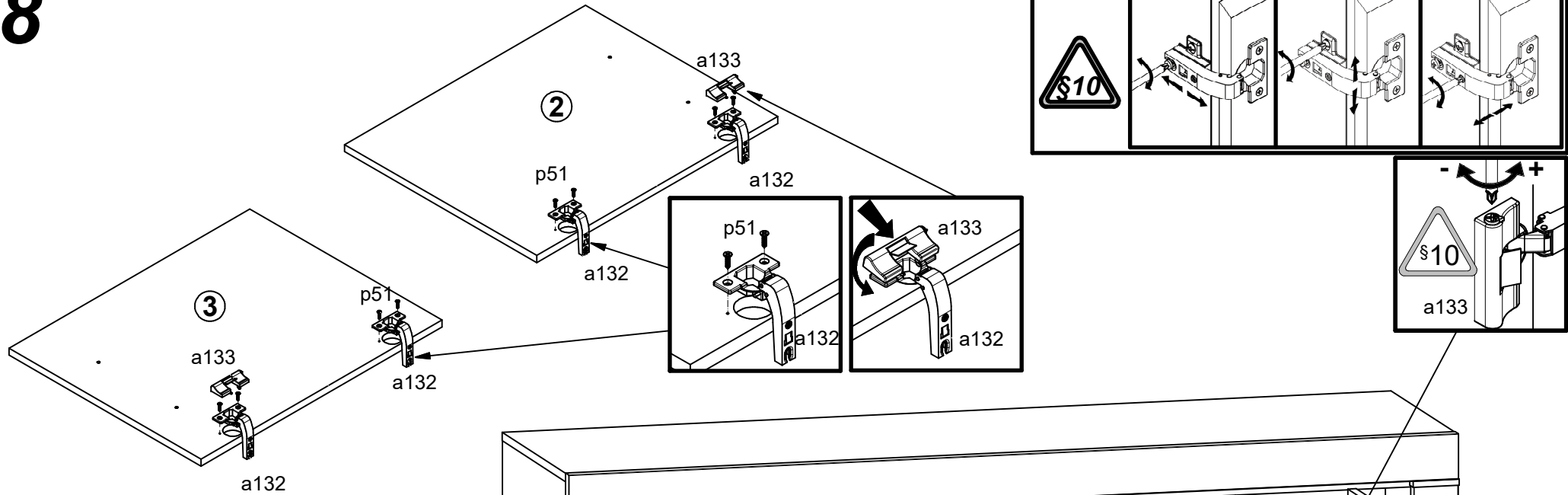
7










- | | | | | |
|---------------------------------|----------------------------------|--------------------------------------|-----------------------------|-----------------------------------|
| 3x
L-212 mm
c329\2 | 6x
Ø6x30 mm
f9 | 12x
Ø6.5x40 mm
f25 | 6x
silikon
o21 | 6x
Ø4x25 mm
p8 |
| 10x
Ø3.5x16 mm
p38 | 18x
Ø3.5x12 mm
p140 | 12x
Ø12x10.5 mm #12
r15 | 12x
20/11
r42 | 6x
400/670 mm
w154\1 |



8



- 4x  a132
- 2x  a133
- 2x  c329\2
L=212 mm
- 4x  d1
Ø5x17 mm
- 4x  p8
Ø4x25 mm
- 8x  p51
Ø3.5x15 mm
- 4x  s2
Ø16

9

